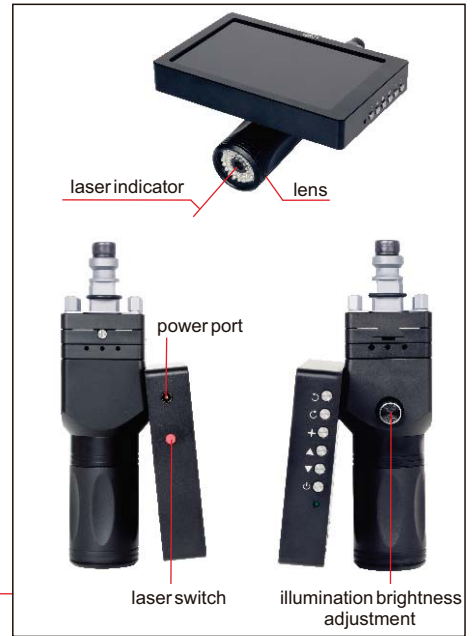
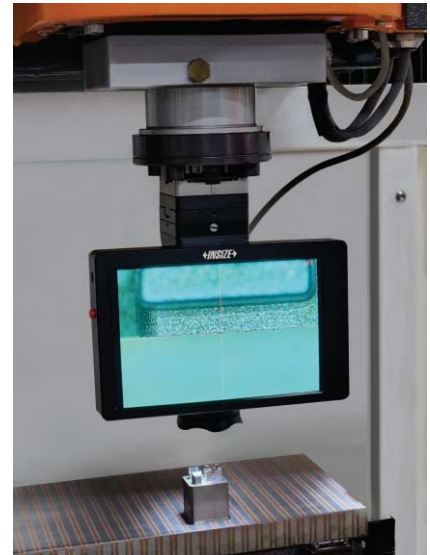


VIDEO MEASURING INSTRUMENT FOR MACHINE TOOLS

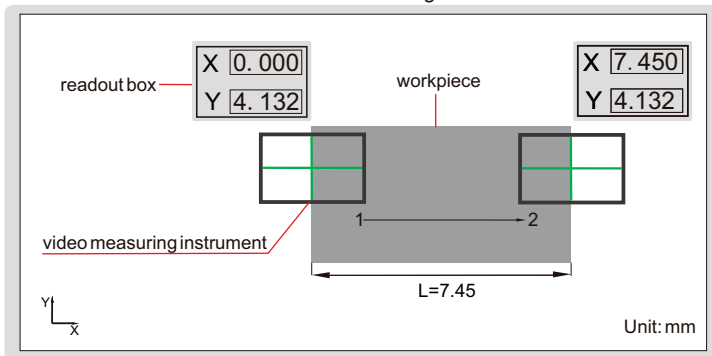


- Used in machine tools such as EDM and CNC
- Working together with linear scale and readout box of machine tools to make 2D measurement, especially suitable for small or thin parts
- Can rotate crosshair and change its color
- With laser indicator to locate position
- Patented

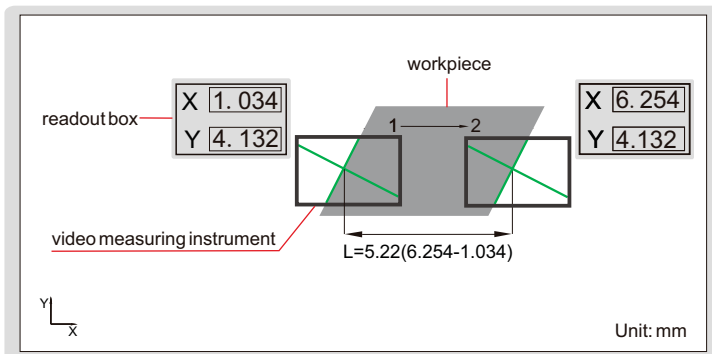
Application



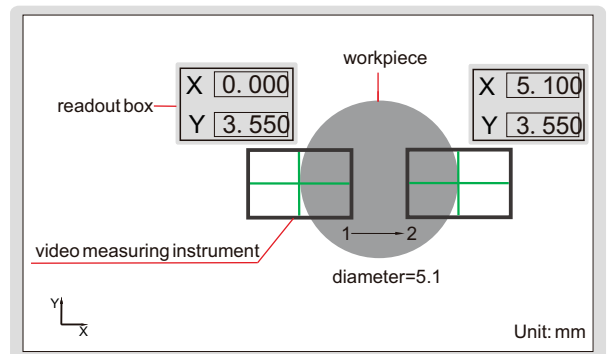
Measure length



Measure distance

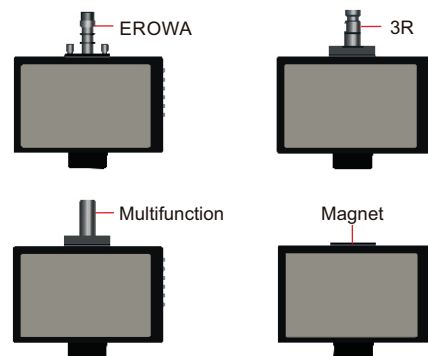


Measure diameter



SPECIFICATION

Code	5314-R31	5314-R32	5314-R33	5314-R34
Adapter	EROWA	3R	Multifunction	Magnet
Screen size/pixel	7 inch/1080P			
Visual accuracy	±0.003mm			
Magnification	50X			
Angle resolution	15'			
Automatic edge-find	after finding the edge, the crosshair changes to green color and prompts			
Color of crosshair	red, blue			
Rotation of crosshair	manual			
Focus distance	50mm			
Light source	LED(adjustable brightness)			
Lithium battery	4800mA(for 4 hours working)			
Power supply	power adapter			
Dimension(LxWxH)	178x90x215mm			
Weight	2kg			



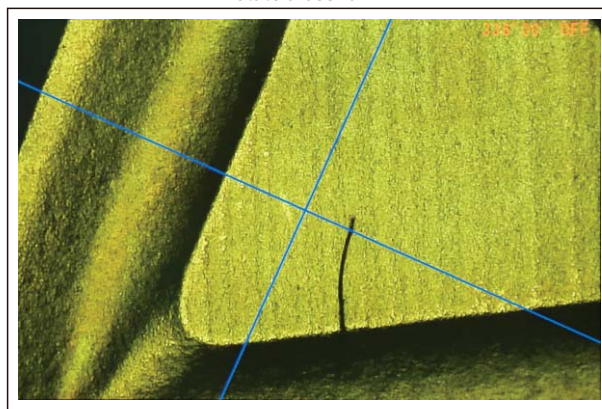
STANDARD DELIVERY

Main unit	1 pc
Power adapter	1 pc

Select crosshair colors



Rotate crosshair



Laser indicator locates the central point



After finding the edge, the crosshair changes to green color and prompts

