

Copyright

© 2017, Wuhan Guide Sensmart Tech Co., Ltd.
All rights reserved worldwide. Names and marks appearing herein are either registered trademarks or trademarks of Guide Sensmart and/or its parent company. All other trademarks, trade names or company names referenced herein are used for identification only and are the property of their respective owners.

Document identity

Language: English
Modified: 2017-11-23
Formatted: 2017-11-29

Website

<http://www.guideir.com>

Customer support

service@guide-infrared.com

Disclaimer

Specifications subject to change without further notice. Please refer to enquiry@guide-infrared.com with any questions.



D192M

D384M

D384A

Specifications

Model	D192M	D384M	D384A
Imaging Performance			
Detector type	VOx UFPA		
Spectral range	8~14μm		
Pixel size	25μm		
IR resolution	192×144	384×288	384×288
NETD	60mK	45mK	45mK
Field of view(FOV)	37.8°×28.8°	28.4°×21.5°	35°×27°
Minimum focus distance	0.5m	0.5m	0.4m
Focal length	7mm/ F1.1	19mm/ F1.0	15mm/ F1.1
IFOV	3.45mrad	1.29mrad	1.60mrad
Lens identification	Automatic/ manual		N/A
Focus	Manual		Electric/Automatic
Digital zoom	1.1~4		
Frame rate	25Hz		
Visual Camera			
Resolution	5M		
Focus	Fixed		
FOV	25°×19°		
Image Presentation			
Display	Highlight LCD touch screen		
Screen size	4"		
Resolution	480×800		
FOV	70°		
Color depth	24bits		

Copyright

© 2017, Wuhan Guide
Sensmart Tech Co., Ltd.

Display technology	IPS
Image modes	IR image, Visual image, MIF, Picture in picture(PIP)
Measurement Features	
Temperature range	-20°C~150°C, 100°C~650°C
Accuracy	±2°C or ±2% of reading for ambient temperature 15°C~35°C and objecttemperature above 0°C
Measurement Analysis	
Spotmeter	5
Line	2
Area	5
Auto tracking	Tmax/Tmin of full screen, Tmax/Tmin of object
Isotherm	Above, below, interval
Delta T	Yes
Emissivity correction	Yes: variable from 0.01 to 1.00
Alarm	Hot/cold spot
Functions	
Laser	Yes
Wi-Fi	Yes
Illuminator	Yes
Setup	
Color Palettes	8:White Hot, Fulgurite, Iron Red, Hot Iron, Medical, Arctic, Rainbow 1, Rainbow 2
Language	21
System setting	Temperature unit, Date and time formats, Watermark, Report
Image storage	
Image format	JPG with temp info
Storage Medium	In camera and TF card
Image Annotations	
Voice annotation	Yes, 60s
Text annotation	Yes
Visual image annotation	Yes, up to two images
Image marker	Yes
Video storage	
Videowithout temp info	H.264 format
Videowithtemp info	User-defined format
Video Streaming	via USB or Wi-Fi
Interfaces	
Data	USB, HDMI, TF card, Power

Copyright

© 2017, Wuhan Guide
Sensmart Tech Co., Ltd.

communication interface			
Audio	Microphone and speaker		
USB	Micro USB 2.0		
HDMI	Micro HDMI		
TF card	16G, up to 32G		
Vibration feedback	by vibrating motor		
Power system			
Battery type	Rechargeable Li-ion battery		
Battery voltage	7.4V		
Operating time	≥4h		
Charging temperature	10°C~35°C		
Boot time	40s		
Charging system	In camera or on separate charger		
Charging period	4h in camera, 5h in dual-bay charger		
External power supply	12V		
Power management	Automatic shut-down and sleeping mode		
Environmental Parameters			
Operating temperature range	-10°C~50°C		
Storage temperature range	-40°C~70°C		
Humidity	<95%		
Encapsulation	IP54		
*Drop test	2m		
Shock	30g 11ms (IEC 60068-2-27)		
Vibration	10Hz~150Hz~10Hz 0.15mm (IEC 60068-2-6)		
Certification	CE, FCC, ROHS		
Physical Characteristics			
Weight (including Battery and lens)	840g	840g	735g
Dimensions(including Battery and lens)	274mm×106mm×78mm	274mm×110mm×78mm	274mm×91mm×78mm
Weight of battery	135g		
Dimensions of battery	164mm×44mm×39mm		
Color	Red-black		
Shipping Information			

Copyright

© 2017, Wuhan Guide
Sensmart Tech Co., Ltd.

Shipping content	<ul style="list-style-type: none"> ◆ Infrared camera with lens ◆ Standard accessories <ul style="list-style-type: none"> · Li-ion Battery x2 · Power Adapter x1 · Adapter Plug x1 · Wrist Strap x1 · USB Cable x1 · HDMI Cable x1 · Quick Start Guide x1 · User Manual x1 · Product CD x1 · Accessories List Card x1 · CTP Gloves Set x1 · TF Card (16GB) x1 · Charging Dock(only for D384A) x1 · Tripod Mount (only for D384A) x1 ◆ Optional accessories <ul style="list-style-type: none"> · Li-ion Battery · Camera Pouch · Sunshade · Charging Dock · Tripod Mount · Bluetooth Headset (only for D384A)
Shipping Dimensions	470mm×360mm×210mm

Pictures of Contents



Infrared camera with lens



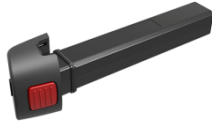
Power Adapter



Adapter Plugs

Copyright

© 2017, Wuhan Guide
Sensmart Tech Co., Ltd.



Li-ion Battery



HDMI Cable (2m)



USB Cable (2m)



Wrist Strap



CTP Glove Set



TF Card(16G)



User Manual



Quick Start Guide



Accessories List Card



Product CD



Camera Pouch



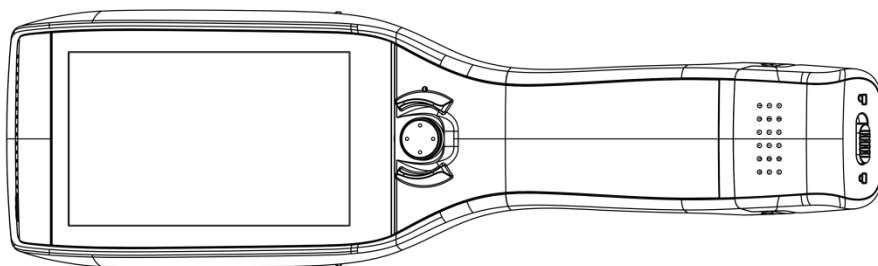
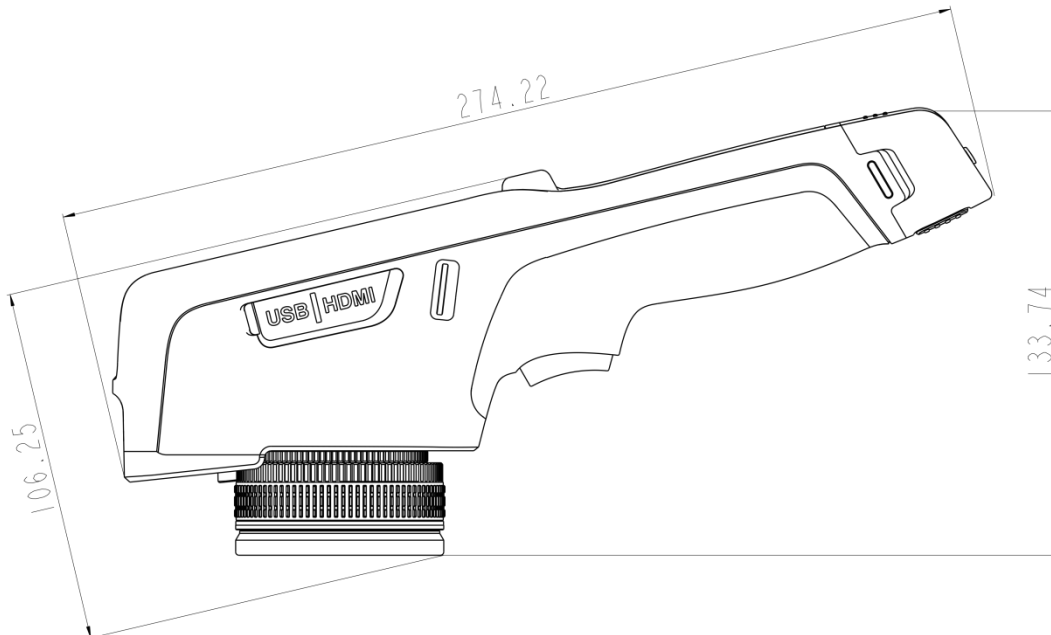
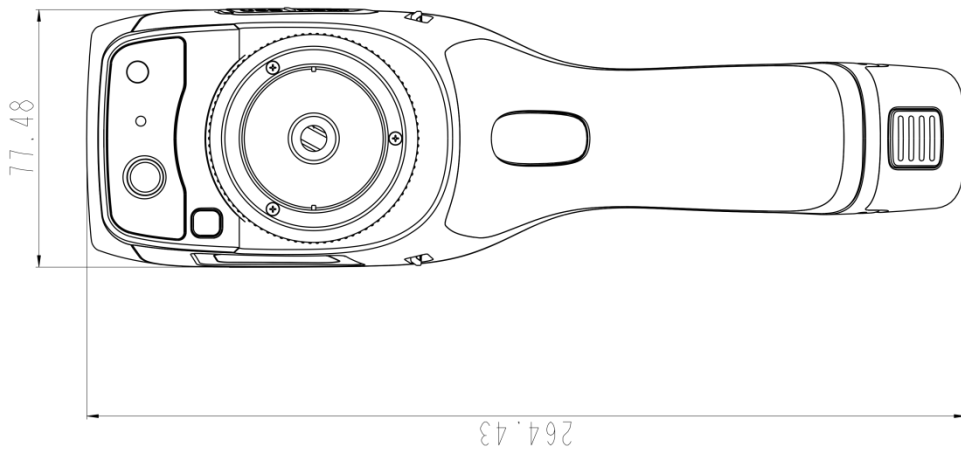
Charging Dock



Sunshade

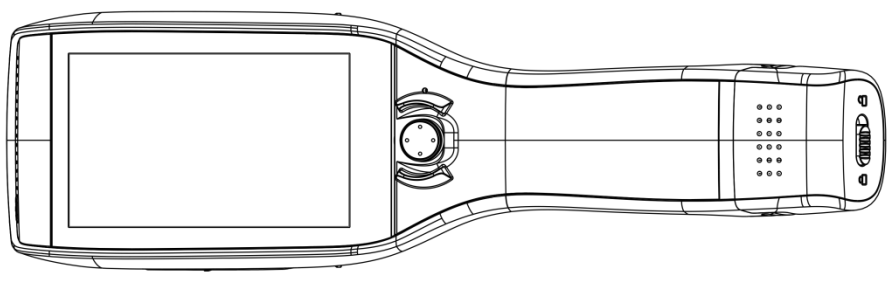
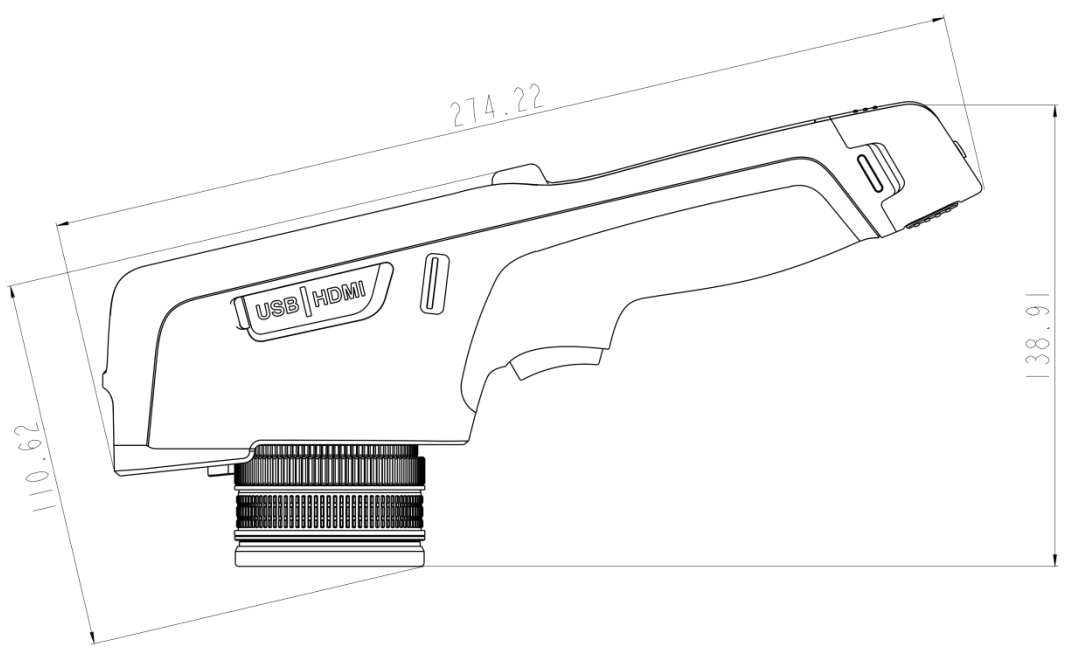
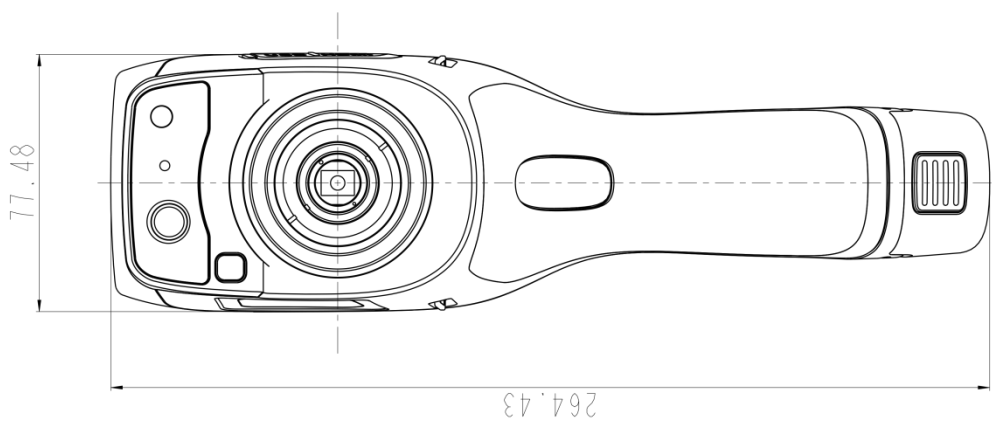


Bluetooth Headset



D192M

D384M



D384A

